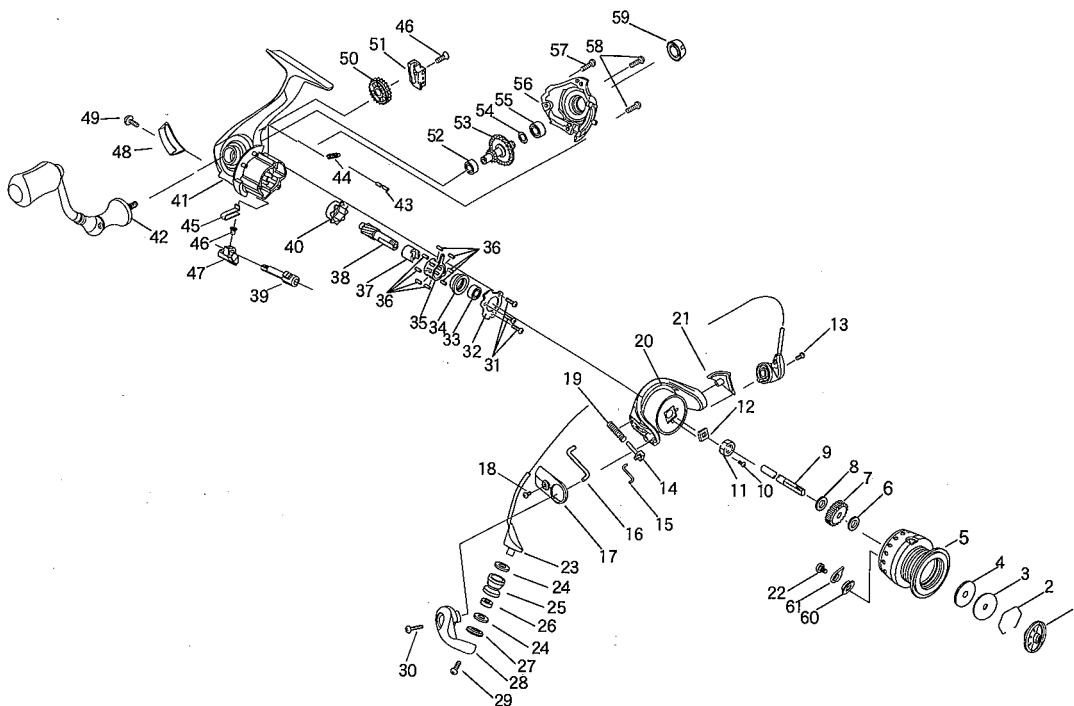


■ EXPLODED VIEW



■ PARTS LIST

NO.	PARTS NO.	PARTS NAME	NO.	PARTS NO.	PARTS NAME	NO.	PARTS NO.	PARTS NAME
1	02815002	DRAG KNOB ASSY.	21	195003	COVER B	42	02075111	HANDLE ASSY.
2	425111	STOPPER SPRING	22	20637	SCREW	43	235001	SPRING PIN
3	265112	DRAG WASHER	23	02295001	BAIL ARM ASSY.	44	67107	ONE WAY CLUTCH SPRING
4	265113	DRAG WASHER	24	27704	WASHER	45	675111	ANTI-REVERSE SPRING
5	02065111A	SPOOL ASSY.(500)	25	25099	ROLLER	46	KM2x4	SCREW
	02065112A	SPOOL ASSY.(800)	26	38248	BALL BEARING	47	8425-08-01	ANTI-REVERSE LEVER
6	27453B	CLICK WASHER	27	17451	COLLAR	48	195001	PROTECTOR
7	135111	CLICK	28	15708	BAIL ARM LEVER	49	5406-01-05	SCREW
8	27694	SPOOL WASHER	29	21165	SCREW	50	105001	BULL GEAR
9	345001	SHAFT	30	20663	SCREW	51	115001	OSCILLATOR
10	20662	SCREW	31	20629	SCREW	52	38059	BALL BEARING
11	18081	HEXAGON NUT	32	305001	BEARING SUPPORT	53	085001	MAIN GEAR
12	302001	WASHER	33	38049	BALL BEARING	54	27290A	WASHER
13	20219	SCREW	34	175111	BALL BEARING COLLAR	55	9446-01-19	BALL BEARING
14	395001	SLIDER	35	682001	HOLDER	56	045001	SIDE PLATE
15	68519	LINK	36	255001	ROLLER	57	9406-01-19	SCREW
16	155002	KICK LEVER	37	175001	INNER RING	58	24200	SCREW
17	195002	COVER A	38	095001	PINION GEAR	59	0219477	HANDLE CAP ASSY.
18	205112	SCREW	39	155001	ANTI-REVERSE CAM	60	275111	WASHER
19	675112	DEAD POINT SPRING	40	685001	OUTER RING	61	02335111	CLICK CLAW ASSY.
20	055001	ROTOR	41	035001	MAIN BODY ASSY.			