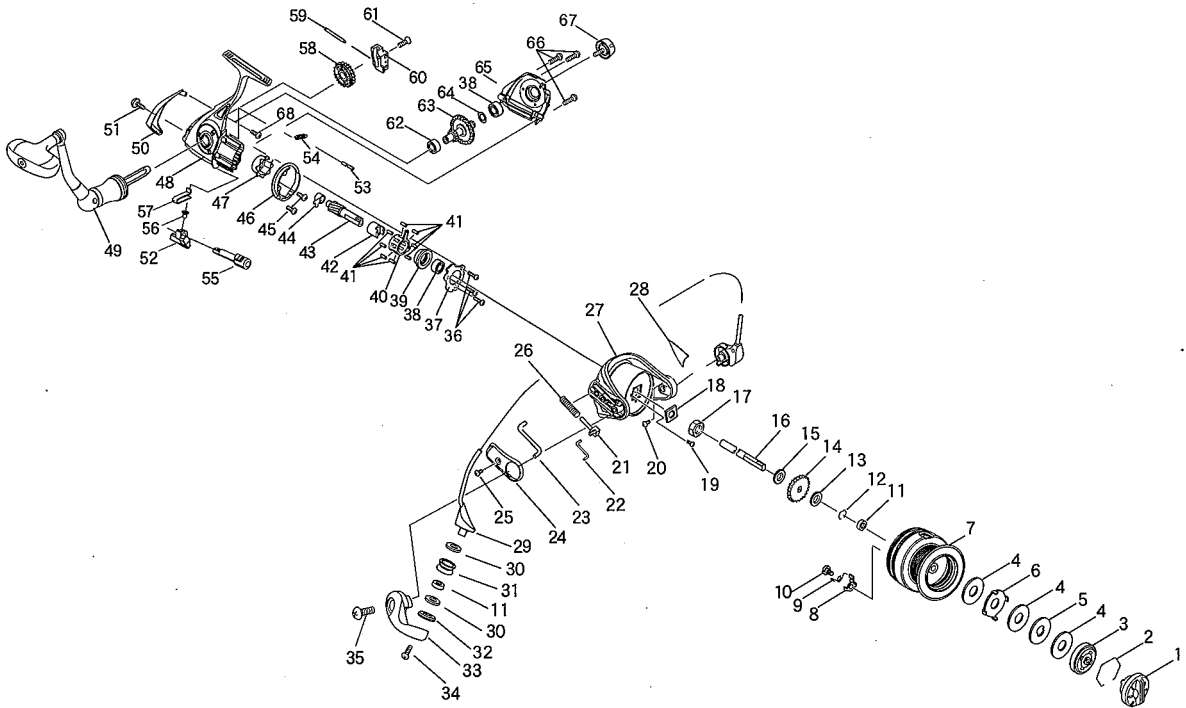


EXPLODED VIEW

3000/4000



PARTS LIST

NO.	PARTS NO.	PARTS NAME	NO.	PARTS NO.	PARTS NAME	NO.	PARTS NO.	PARTS NAME
1	0232198A	DRAG KNOB ASSY.	24	412145	COVER A	48	02032112	MAIN BODY ASSY.
2	42081	STOPPER SPRING	25	342114	OSCILLATOR SHAFT	49	0207391	HANDLE ASSY.
3	0268514A	CLICK PLATE ASSY.	26	67145	DEAD POINT SPRING	50	412116	PROTECTOR
4	26440	DRAG WASHER	27	052122	ROTOR	51	20056D	SCREW
5	26437	DRAG WASHER	28	612902	COVER B	52	152111	ANTI-REVERSE LEVER
6	26438	DRAG WASHER	29	0229370	BAIL ARM ASSY.	53	23349	SPRING PIN
7	062156K	SPOOL ASSY.(3000)	30	27704	WASHER	54	67107	ONE WAY CLUTCH SPRING
	062157K	SPOOL ASSY.(4000)	31	25099	ROLLER	55	8425-08-02	ANTI-REVERSE CAM
8	33327	CLICK CLAW	32	17451	COLLAR	56	8405-LD-01	SCREW
9	67108	CLICK CLAW SPRING	33	15708C	BAIL ARM LEVER	57	8406-01-26	ANTI-REVERSE SPRING
10	21157	CLICK CLAW SCREW	34	21165	SCREW	58	10488	BULL GEAR
11	38248	BALL BEARING	35	20610	SCREW	59	342111	OSCILLATOR GUIDE SHAFT
12	42077	STOPPER SPRING	36	20610	SCREW	60	11158	OSCILLATOR
13	27453B	CLICK WASHER	37	30162	BEARING SUPPORT	61	20383A	SCREW
14	13119	CLICK	38	38049	BALL BEARING	62	38059	BALL BEARING
15	27694	SPOOL WASHER	39	17435	BALL BEARING COLLAR	63	08282	MAIN GEAR
16	34067	SHAFT	40	68517	HOLDER	64	27290A	WASHER
17	18035	NUT	41	25089	ROLLER	65	042112	SIDE PLATE
18	302001	NUT WASHER	42	17413	INNER RING	66	20559	SCREW
19	20662	SCREW	43	09333	PINION GEAR	67	0219822	HANDLE CAP ASSY.
20	20634	SCREW	44	16359	BUSH	68	209045	SCREW
21	68513	SLIDER	45	20637	SCREW			
22	68519A	LINK	46	68524	CAM			
23	15712	KICK LEVER	47	68449	OUTER RING			

SPECIFICATIONS

Model Name	Gear Ratio	Drag Power (Max.)	Weight	Ball Bearing	Line Capacity		
3000	5.0:1	5.0kg	295.1g	7+1	0.235mm-235m	0.285mm-170m	0.330mm-115m
4000	5.0:1	5.0kg	307.4g	7+1	0.235mm-235m	0.285mm-170m	0.330mm-115m