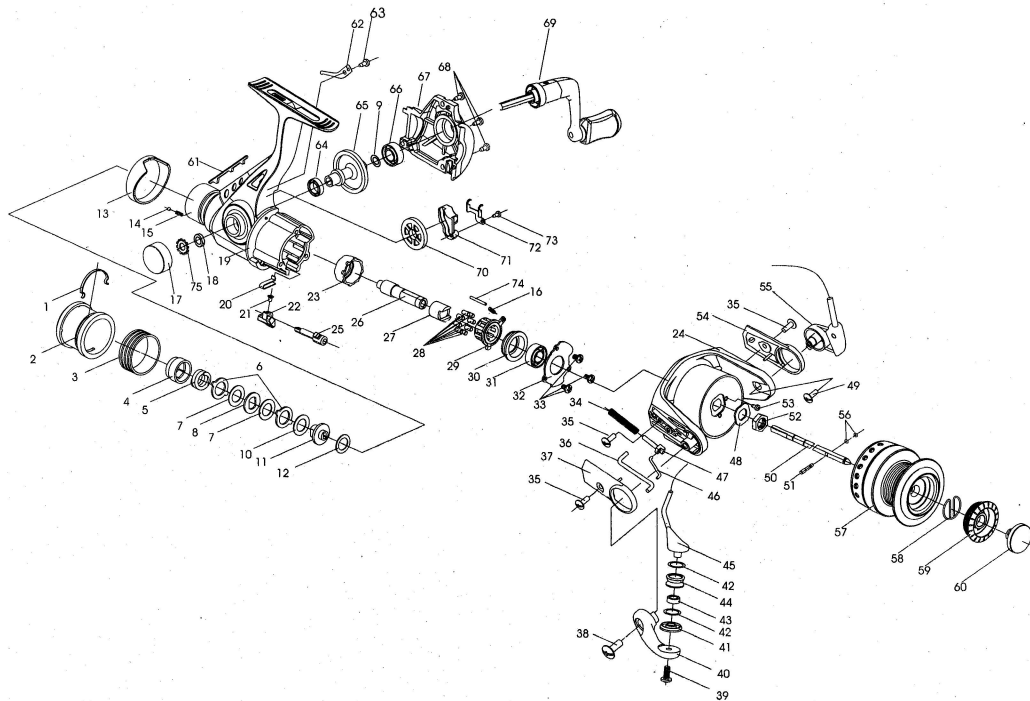


■ EXPLODED VIEW



■ PARTS LIST FOR ECUSIMA RD 1000VI AND 2000VI

| NO. | PART | PART-NO. | NO. | PART | PART-NO. | NO. | PART | PART-NO. |
|-----|-----------------------|------------|-----|---------------------|------------|-----|---------------------|------------|
| 1 | DRAG STOPPER SPRING | 8406-01-08 | 27 | INNER RING | 17413 | 53 | SCREW | 20662 |
| 2 | DRAG | 8406-01-05 | 28 | ROLLER | 25089 | 54 | COVER B | 8406-02-03 |
| 3 | RUBBER BAND | 8406-01-04 | 29 | HOLDER | 68517 | 55 | BAIL ASSY | 8406-02-04 |
| 4 | DRAG NUT | 8406-01-07 | 30 | BALL BEARING COLLAR | 17435 | 56 | RUBBER RING | 8405-03-05 |
| 5 | DRAG SPRING | 8405-01-11 | 31 | BALL BEARING | 38266 | 57 | SPOOL ASSY (1000VI) | 8406-03-01 |
| 6 | DRAG WASHER | 8405-01-12 | 32 | BEARING SUPPORT | 30162 | 57 | SPOOL ASSY (2000VI) | 8416-03-01 |
| 7 | DRAG WASHER | 8405-01-14 | 33 | SCREW | 20629 | 58 | STOPPER SPRING | 8405-03-08 |
| 8 | DRAG WASHER | 8405-01-13 | 34 | DEAD POINT SPRING | 67077 | 59 | DRAG CAP | 8405-03-06 |
| 9 | WASHER | 27290 | 35 | SCREW | 20629 | 60 | PRESS-BUTTON | 8405-03-07 |
| 10 | DRAG WASHER | 8405-01-15 | 36 | KICK LEVER | 15682 | 61 | BODY ADORNING | 8406-01-24 |
| 11 | CLICK GEAR | 8405-01-17 | 37 | COVER A | 8406-02-02 | 62 | CLICK PLATE | 8406-01-18 |
| 12 | DRAG WASHER | 8405-01-16 | 38 | SCREW | 20635 | 63 | SCREW | 20629 |
| 13 | PROTECTOR | 8406-01-03 | 39 | SCREW | 21165 | 64 | BALL BEARING | 38227 |
| 14 | CLICK PIN | 50038 | 40 | BAIL ARM LEVER | 15708 | 65 | MAIN GEAR | 08279 |
| 15 | SRPING | 8405-01-10 | 41 | COLLAR | 17451 | 66 | BALL BEARING | 38226 |
| 16 | ONE WAY CLUTCH SPRING | 67107 | 42 | WASHER | 27704 | 67 | SIDE PLATE | 8406-01-02 |
| 17 | HANDLE CAP ASSY | 6405-00-38 | 43 | BALL BEARING | 38248 | 68 | SCREW | P2.6*10 |
| 18 | WASHER | 6405-00-39 | 44 | LINE ROLLER | 25099 | 69 | HANDLE ASSY | 6405-05-00 |
| 19 | MAIN BODY ASSY | 8406-01-01 | 45 | BAIL ARM ASSY | 02060205 | 70 | BULL GEAR | 10474 |
| 20 | ANTI REVERSE SPRING | 8405-01-29 | 46 | LINK | 68519 | 71 | OSCILLATOR | 8405-01-19 |
| 21 | SCREW | 20632 | 47 | SLIDER | 68513 | 72 | KEEPING PLATE | 8405-01-20 |
| 22 | ANTI REVERSE LEVER | 8405-01-27 | 48 | WASHER | 8406-02-05 | 73 | SCREW | TM2.*3 |
| 23 | OUTER RING | 68449 | 49 | SCREW | 20634 | 74 | HOOK PIN FOR SPRING | 8405-01-31 |
| 24 | ROTOR | 8406-02-01 | 50 | SHAFT | 8406-01-21 | 75 | WASHER | 6405-00-36 |
| 25 | ANTI REVERSE CAM | 8405-01-28 | 51 | SHAFT PIN | 8405-03-04 | | | |
| 26 | PINION GEAR | 8405-02-01 | 52 | NUT | 18035 | | | |

■ SPECIFICATIONS

| Model Name | Gear Ratio | Drag Power (Max.) | Weight | Ball Bearing | Line Capacity | | |
|-------------------|------------|-------------------|--------|--------------|---------------|--------------|-------------|
| ECUSIMA RD 1000VI | 5.1:1 | 2.5 kg | 266g | 5 | 0.205mm-145m | 0.235mm-115m | 0.285mm-80m |
| ECUSIMA RD 2000VI | 5.1:1 | 2.5 kg | 268g | 5 | 0.235mm-155m | 0.285mm-105m | 0.330mm-80m |

DESIGNED AND ENGINEERED BY RYOBI