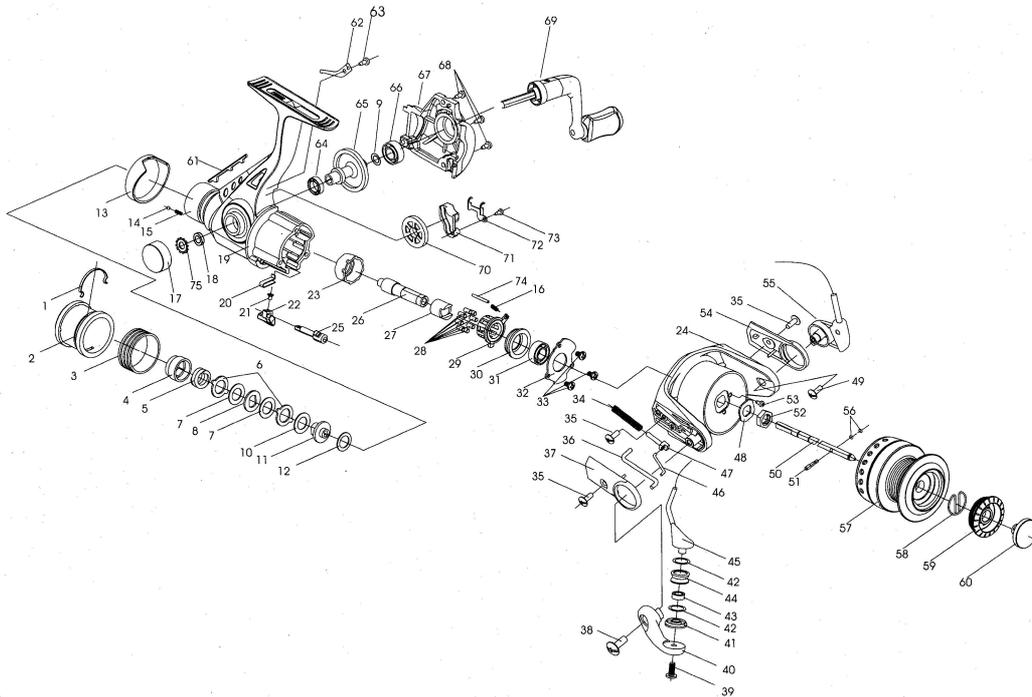


## ■ EXPLODED VIEW



## ■ PARTS LIST FOR ECUSIMA RD 3000VI AND 4000VI

NO.	PART	PART-NO.	NO.	PART	PART-NO.	NO.	PART	PART-NO.
1	DRAG STOPPER SPRING	8426-01-08	27	INNER RING	17413	53	SCREW	20662
2	DRAG	8426-01-05	28	ROLLER	25089	54	COVER B	8436-02-03
3	RUBBER BAND	8426-01-04	29	HOLDER	68517	55	BAIL ASSY	8436-02-04
4	DRAG NUT	8406-01-07	30	BALL BEARING COLLAR	17435	56	RUBBER RING	8405-03-05
5	DRAG SPRING	8406-01-11	31	BALL BEARING	38266	57	SPOOL ASSY (3000VI)	8426-03-01
6	DRAG WASHER	8425-08-04	32	BEARING SUPPORT	30162	57	SPOOL ASSY (4000VI)	8436-03-01
7	DRAG WASHER	8425-08-06	33	SCREW	20629	58	STOPPER SPRING	8405-03-08
8	DRAG WASHER	8425-08-05	34	DEAD POINT SPRING	67077	59	DRAG CAP	8405-03-06
9	WASHER	27290	35	SCREW	20629	60	PRESS-BUTTON	8405-03-07
10	DRAG WASHER	8405-01-15	36	KICK LEVER	15682	61	BODY ADORNING	8426-01-24
11	CLICK GEAR	8405-01-17	37	COVER A	8436-02-02	62	CLICK PLATE	8406-01-18
12	DRAG WASHER	8405-01-16	38	SCREW	20635	63	SCREW	20629
13	PROTECTOR	8406-01-03	39	SCREW	21165	64	BALL BEARING	38227
14	CLICK PIN	50038	40	BAIL ARM LEVER	15708	65	MAIN GEAR	08279
15	SRPING	8405-01-10	41	COLLAR	17451	66	BALL BEARING	38226
16	ONE WAY CLUTCH SPRING	67107	42	WASHER	27704	67	SIDE PLATE	8426-01-02
17	HANDLE CAP ASSY	6405-00-38	43	BALL BEARING	38248	68	SCREW	P2.6*10
18	WASHER	6405-00-39	44	LINE ROLLER	25099	69	HANDLE ASSY	6405-05-00
19	MAIN BODY ASSY	8426-01-01	45	BAIL ARM ASSY	02260205	70	BULL GEAR	10474
20	ANTI REVERSE SPRING	8405-01-29	46	LINK	68519	71	OSCILLATOR	8425-07-01
21	SCREW	20632	47	SLIDER	68513	72	KEEPING PLATE	8425-07-02
22	ANTI REVERSE LEVER	8405-01-27	48	WASHER	8406-02-05	73	SCREW	TM2.0*3
23	OUTER RING	68449	49	SCREW	20634	74	HOOK PIN FOR SPRING	23349
24	ROTOR	8436-02-01	50	SHAFT	8426-07-03	75	WASHER	6405-00-36
25	ANTI REVERSE CAM	8425-08-02	51	SHAFT PIN	8405-03-04			
26	PINION GEAR	8425-07-02	52	NUT	18035			

## ■ SPECIFICATIONS

Model Name	Gear Ratio	Drag Power (Max.)	Weight	Ball Bearing	Line Capacity		
ECUSIMA RD 3000VI	5.0:1	3.0 kg	310g	5	0.235mm-235m	0.285mm-160m	0.330mm-110m
ECUSIMA RD 4000VI	5.0:1	3.0 kg	312g	5	0.285mm-195m	0.330mm-140m	0.370mm-110m

DESIGNED AND ENGINEERED BY RYOBI