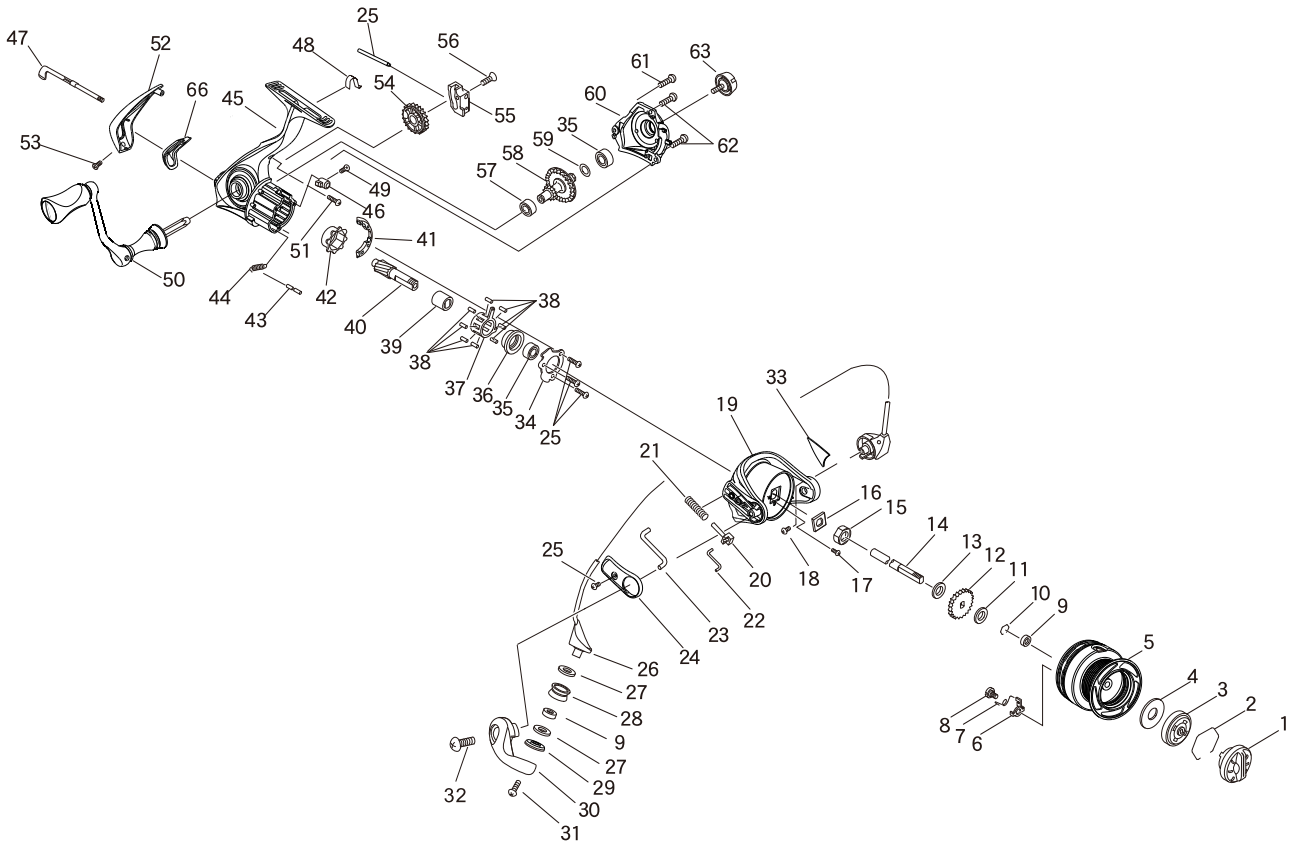


■ EXPLODED VIEW

1000/2000



■ PARTS LIST FOR

KEY NO.	PARTS NO.	PARTS NAME	KEY NO.	PARTS NO.	PARTS NAME	KEY NO.	PARTS NO.	PARTS NAME
1	0232198	DRAG KNOB ASSY.	22	68519A	LINK	44	67107	ONE WAY CLUTCH SPRING
2	42081	STOPPER SPRING	23	15711	KICK LEVER	45	02032119	MAIN BODY ASSY.
3	0268514	CLICK PLATE ASSY.	24	412144	COVER A	46	14353	ANTI-REVERSE CAM
4	26439	DRAG WASHER	25	342113	OSCILLATOR SHAFT	47	152117	ANTI-REVERSE LEVER
5	062154	SPOOL ASSY.(1000)	26	0229369	BAIL ARM ASSY.	48	672102	ANTI-REVERSE SPRING
	062155	SPOOL ASSY.(2000)	27	27704	WASHER	49	20632	SCREW
6	33327	CLICK CLAW	28	25099	ROLLER	50	02322107	HANDLE ASSY.
7	67108	CLICK CLAW SPRING	29	17451	COLLAR	51	9406-01-25	SCREW
8	21157	CLICK CLAW SCREW	30	15708C	BAIL ARM LEVER	52	412140	PROTECTOR
9	38248	BALL BEARING	31	21165A	SCREW	53	5406-01-05	SCREW
10	42077	RETAINING RING	32	20663	SCREW	54	10474	BULL GEAR
11	27453B	CLICK WASHER	33	612901	COVER B	55	110102	OSCILLATOR
12	13119	CLICK	34	30162	BEARING SUPPORT	56	20383AB	SCREW
13	27694	SPOOL WASHER	35	38049	BALL BEARING	57	38059	BALL BEARING
14	342107	SHAFT	36	17435	BALL BEARING COLLAR	58	08279	MAIN GEAR
15	18035	NUT	37	68517	HOLDER	59	27290A	WASHER
16	302001	NUT WASHER	38	25089	ROLLER	60	02042118	SIDE PLATE ASSY.
17	20662	SCREW	39	17413	INNER RING	61	8406-LD-01	SCREW
18	20634	SCREW	40	09332	PINION GEAR	62	GWB-LD-01	SCREW
19	052121	ROTOR	41	9406-01-20	CONTROL PLATE	63	6405-00-38	HANDLE CAP ASSY.
20	68513	SLIDER	42	68449	OUTER RING	64	412141	PROTECTOR
21	67077	DEAD POINT SPRING	43	23349	SPRING PIN			

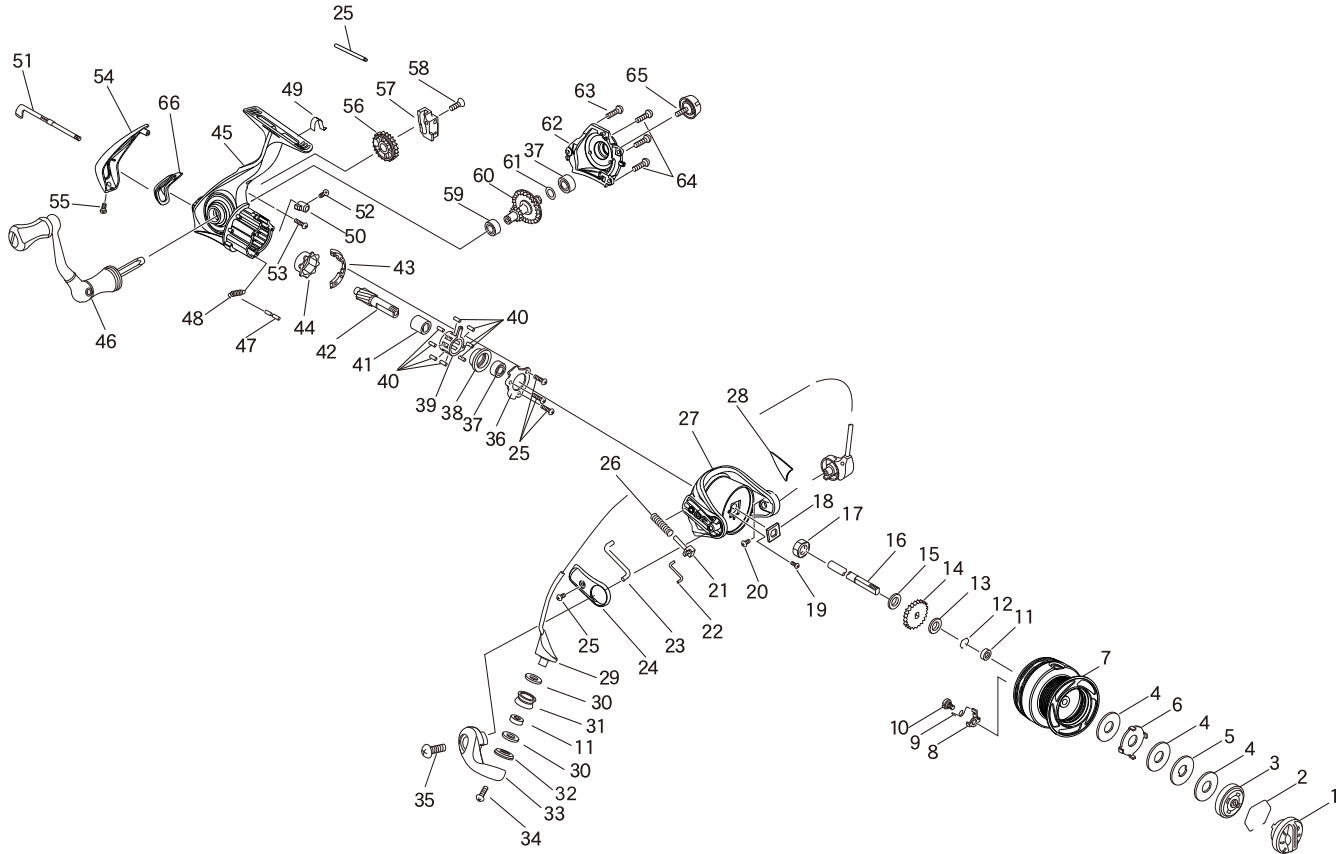
■ SPECIFICATIONS

Model Name	Drag Power (Max.)	Weight	Line Capacity		
			0.205mm-150m	0.235mm-115m	0.285mm-80m
SLAM 1000	2.5 kg	213g	0.205mm-150m	0.235mm-115m	0.285mm-80m
SLAM 2000	2.5 kg	215g	0.235mm-155m	0.285mm-110m	0.330mm-80m

DESIGNED AND ENGINEERED IN JAPAN

EXPLODED VIEW

3000/4000



PARTS LIST FOR

KEY NO.	PARTS NO.	PARTS NAME	KEY NO.	PARTS NO.	PARTS NAME	KEY NO.	PARTS NO.	PARTS NAME
1	0232198	DRAG KNOB ASSY.	23	15712	KICK LEVER	46	02322107	HANDLE ASSY.
2	42081	STOPPER SPRING	24	412145	COVER A	47	23349	SPRING PIN
3	0268514A	CLICK PLATE ASSY.	25	342114	OSCILLATOR SHAFT	48	67107	ONE WAY CLUTCH SPRING
4	26440	DRAG WASHER	26	67145	DEAD POINT SPRING	49	672103	ANTI-REVERSE SPRING
5	26437	DRAG WASHER	27	052122	ROTOR	50	14353	ANTI-REVERSE CAM
6	26438	DRAG WASHER	28	612902	COVER B	51	152116	ANTI-REVERSE LEVER
7	062156	SPOOL ASSY. (3000)	29	0229370	BAIL ARM ASSY.	52	20632	SCREW
	062157	SPOOL ASSY. (4000)	30	27704	WASHER	53	9406-01-25	SCREW
8	33327	CLICK CLAW	31	25099	ROLLER	54	412142	PROTECTOR
9	67108	CLICK CLAW SPRING	32	17451	COLLAR	55	5406-01-05	SCREW
10	21157	CLICK CLAW SCREW	33	15708C	BAIL ARM LEVER	56	10488	BULL GEAR
11	38248	BALL BEARING	34	21165A	SCREW	57	110103	OSCILLATOR
12	42077	RETAINING RING	35	20663	SCREW	58	20383AB	SCREW
13	27453B	CLICK WASHER	36	30162	BEARING SUPPORT	59	38059	BALL BEARING
14	13119	CLICK	37	38049	BALL BEARING	60	9426-01-07	MAIN GEAR
15	27694	SPOOL WASHER	38	17435	BALL BEARING COLLAR	61	27290A	WASHER
16	342108	SHAFT	39	68517	HOLDER	62	02042119	SIDE PLATE ASSY.
17	18035	NUT	40	25089	ROLLER	63	8406-LD-01	SCREW
18	302001	NUT WASHER	41	17413	INNER RING	64	GWB-LD-01	SCREW
19	20662	SCREW	42	09333	PINION GEAR	65	6405-00-38	HANDLE CAP ASSY.
20	20634	SCREW	43	492102	CONTROL PLATE	66	412143	PROTECTOR
21	68513	SLIDER	44	68449	OUTER RING			
22	68519A	LINK	45	02032120	MAIN BODY ASSY.			

SPECIFICATIONS

Model Name	Drag Power (Max.)	Weight	Line Capacity		
SLAM 3000	5.0 kg	247g	0.235mm-235m	0.285mm-170m	0.330mm-115m
SLAM 4000	5.0 kg	249g	0.285mm-200m	0.330mm-150m	0.370mm-115m

DESIGNED AND ENGINEERED IN JAPAN