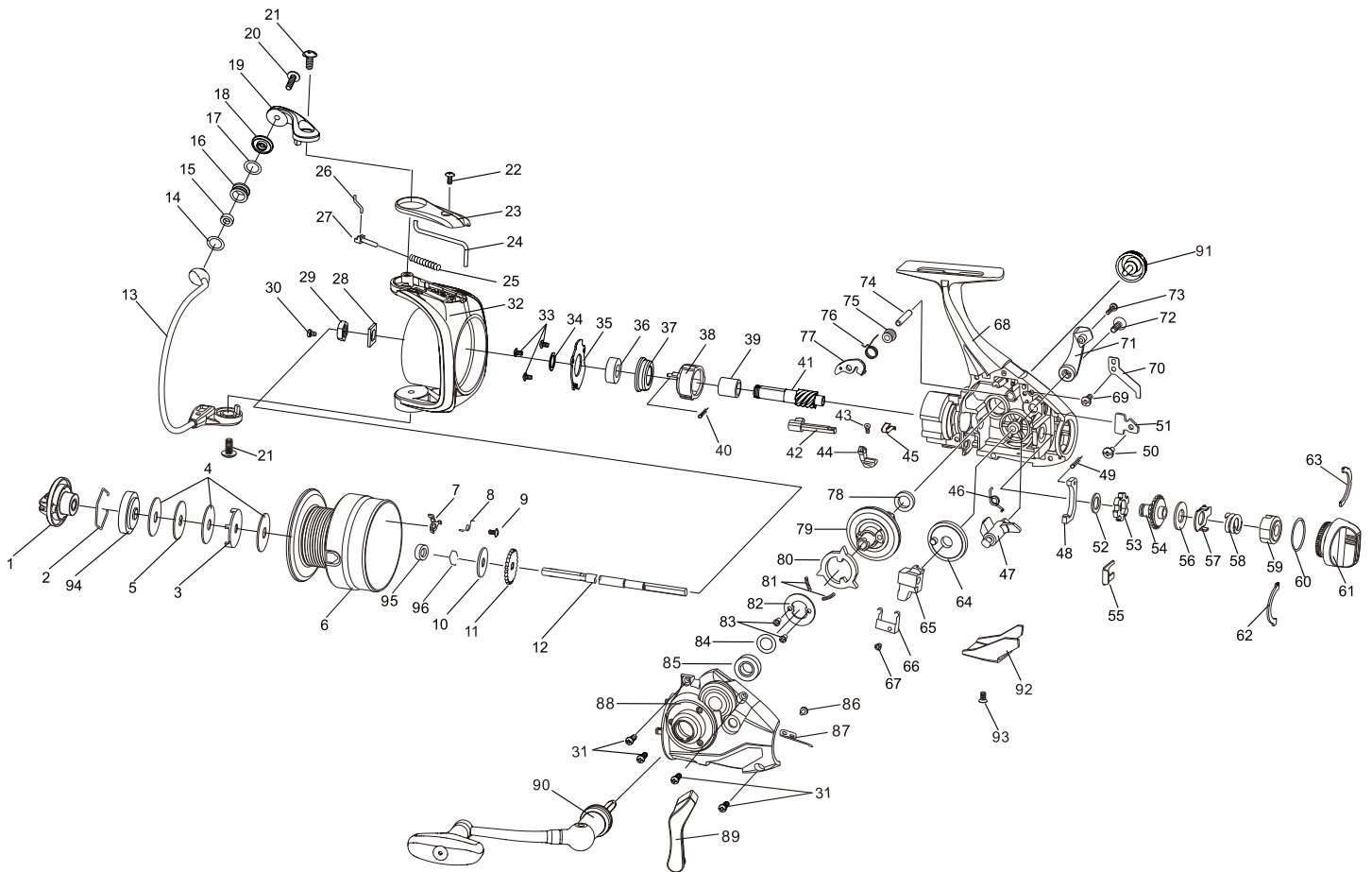


# EXPLODED VIEW



# PARTS LIST

KEY NO.	PART DESCRIPTION
1	DRAG KNOB ASS'Y
2	RETAINER SPRING
3	DRAG WASHER
4	DRAG WASHER
5	DRAG WASHER
6	SPOOL ASS'Y (3000/4000)
7	CLICK CLAW
8	CLICK CLAW SPRING
9	CLICK CLAW SCREW
10	SPOOL ADJUST WASHER
11	CLICK
12	MAIN SHAFT
13	BAIL ASS'Y
14	LINE ROLLER ADJUST WASHER
15	BALL BEARING
16	LINE ROLLER
17	LINE ROLLER ADJUST WASHER
18	LINE ROLLER COLLAR
19	ARM LEVER
20	LINE ROLLER SCREW
21	SCREW
22	ARM LEVER COVER SCREW
23	ARM LEVER COVER
24	KICK LEVER
25	COIL SPRING
26	LINK
27	CAM
28	ROTOR NUT PLATE
29	ROTOR NUT
30	ROTOR NUT LOCK SCREW
31	SCREW
32	ROTOR ASS'Y

KEY NO.	PART DESCRIPTION
33	SCREW
34	WASHER
35	BALL BEARING RETAINER
36	BALL BEARING
37	BALL BEARING HOLDER
38	CLUTCH ASS'Y
39	CLUTCH SLEEVE
40	COIL SPRING
41	PINION
42	AR CAM
43	SCREW
44	AR LEVER
45	LEAF SPRING - AR LEVER
46	TORSIONAL SPRING
47	SWITCH CAM
48	FREESPOOL AR CLAW
49	COIL SPRING
50	SCREW
51	RETAINER
52	WASHER
53	FREESPOOL AR PLATE
54	CLICK GEAR
55	TRAVERSE PLATE
56	FREESPOOL TENSION WASHER
57	FREESPOOL TENSION WASHER
58	SPRING
59	NUT
60	O RING
61	FREESPOOL TENSION KNOB
62	TRAVERSE PLATE A
63	TRAVERSE PLATE B
64	BULL GEAR

KEY NO.	PART DESCRIPTION
65	OSCILLATOR
66	O/S RETAINER
67	SCREW
68	BODY
69	SCREW
70	CLICK PLATE
71	FREESPOOL SWITCH B
72	SCREW
73	SCREW
74	PIN
75	PIN BUSHING
76	TORSIONAL SPRING
77	RESET CLAW
78	BALL BEARING
79	DRIVE GEAR
80	SWITCH RESET PLATE
81	SPRING
82	SPRING PRESSURE PLATE
83	SCREW
84	ADJUST WASHER
85	BALL BEARING
86	SCREW
87	CLICK PLATE
88	SIDE COVER
89	FREESPOOL SWITCH A
90	HANDLE ASS'Y
91	HANDLE KNOB CAP ASS'Y
92	BODY COSMETIC CAP
93	SCREW
94	CLICK PLATE ASS'Y
95	BALL BEARING (only more than 4BB)
96	RETAINER SPRING